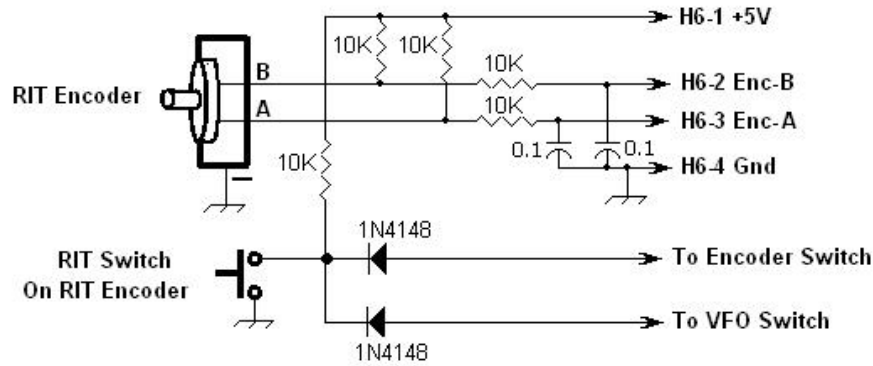


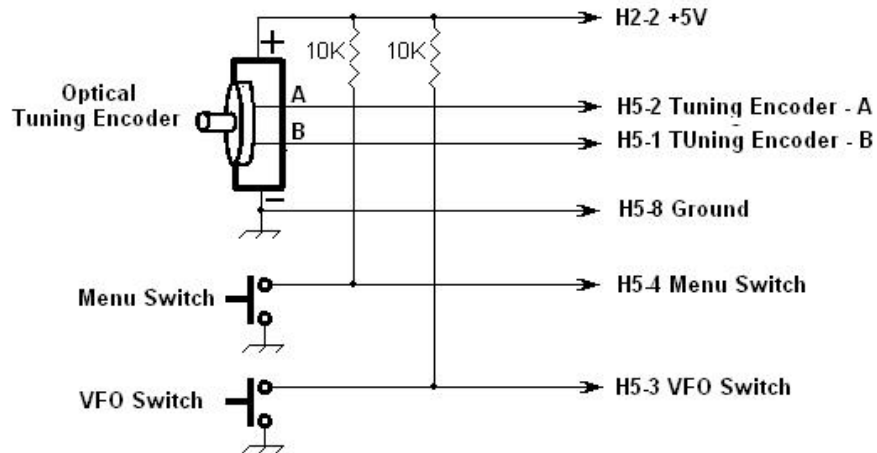
RIT Encoder & RIT Switch Wiring



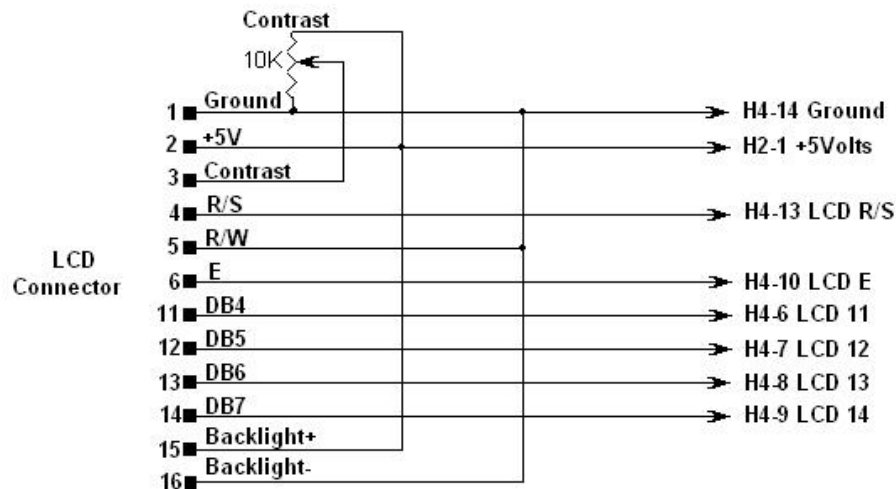
Install a 4 pin Header at J6 for cable connection to RIT Encoder and Switch.

Do Not Plug a USB Cable Into J2 on the PIC-DDS PCB

Tuning Encoder, Tuning Encoder Switch, VFO Switch Wiring



LCD Wiring



H2 Pins 1, 2 and 3 must be jumpered to provide +5 Volts